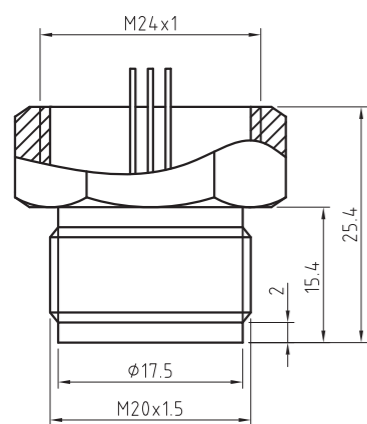


# OEM PRESSURE SENSOR GS22

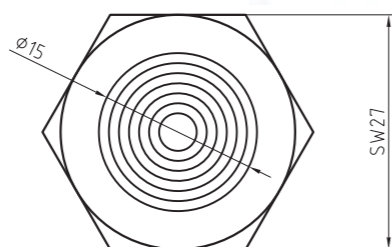
## Description

GS22 is piezoresistive silicon pressure sensor, the main element is a diffused silicon with high stability. The measured pressure is transferred from 316L stainless steel diaphragm to sensing element via silicon oil, utilizing the piezoresistance effect of diffused silicon to transfer pressure to voltage signal and fulfills pressure measurement. It is flush membrane configuration and easy to clean. It can be used for food industry.

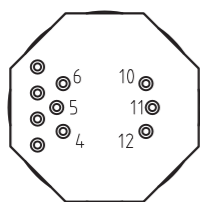
## Dimensions(in mm)



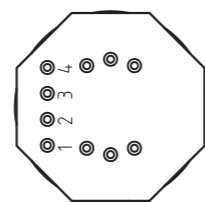
excitation=1.5mA Electrical connection



excitation=10Vdc Electrical connection



pin4 signal+ blue wire  
pin5 excitation+ red wire  
pin6 excitation- yellow wire  
pin10 signal- green wire



pin3 signal+ blue wire  
pin1 excitation+ red wire  
pin2 excitation- yellow wire  
pin4 signal- green wire

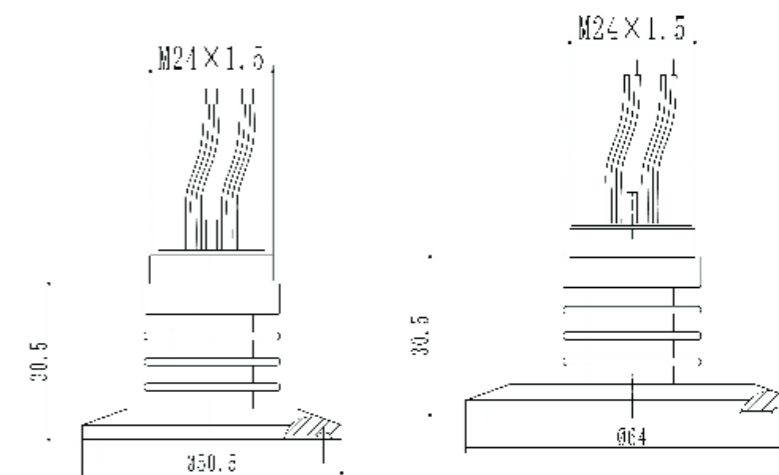


## Applications

- Industrial process control
- Wastewater and environmental engineering
- Liquid pressure system and switch
- Food and the beverage industry

## Features

- piezoresistive pressure sensor
- flush membrane configuration
- pressure range: 0~35kPa...20MPa
- gas or dilute liquid compatible with 316LSS



Unit: (mm)

## Technical Specifications

test condition of data:25°C(77°F)

pressure range	0~10kPa...10MPa	
pressure type	gauge (G), absolute (A), sealed gauge (S)	
overpressure	200%FS	
zero output	±1mV	
output signal	100±10mV(typ.)	100±30mV(max.)
excitation	1.5mA	10Vdc(option)
accuracy	0.15%FS(typ.)	0.3%FS(max.)
long-term stability	≤0.2%FS/year	
temp.coefficient of zero	±0.5%FS@25°C(typ.)	±1%FS@25°C(max.)
temp.coefficient of span	±0.5%FS@25°C(typ.)	±1%FS@25°C(max.)
compensated temperature range	0~+70 °C	
operating temperature range	-20~+80 °C	
storage temperature range	-40~+125 °C	
Insulating resistance	≥100MΩ@50Vdc	
input resistance	3000~6000Ω	
output resistance	2500~6000Ω	
electrical interface	(4F)4-color silicon rubber wires,option (6P)gold-plated kovar pins	
material of pressure membrane	316L stainless steel	
response time(10%~90%)	≤1ms	
shock	20gRMS,(20~5000)Hz	
impact	100g,11ms	
net weight	~50g	

 Ordering code

GS22					OEM Pressure Sensor
	Code				<b>Pressure range</b>
	01				0...10kPa(G)
	02				0...35kPa(G)
	03				0...70kPa(G,A)
	04				0...100kPa(G,A)
	05				0...200kPa(G,A)
	06				0...350kPa(G,A)
	07				0...700kPa(G,A)
	08				0...1MPa(G,A)
	09				0...2MPa(G,A)
	10				0...3.5MPa(G,A,S)
	11				0...7MPa(S)
	12				0...10MPa(S)
	Code				<b>Pressure type</b>
	G				gauge
	S				sealed gauge
	A				absolute
	Code				<b>Electrical interface</b>
	4F				4-color silicon rubber wires
	6P				6 gold-plated kovar pins
	Code				<b>Pressure interface</b>
	1				M20x1.5(male)
	2				G1/2(male)
	3				customer's request
<b>GS22</b>	10	A	6P	2	<b>Complete specification</b>